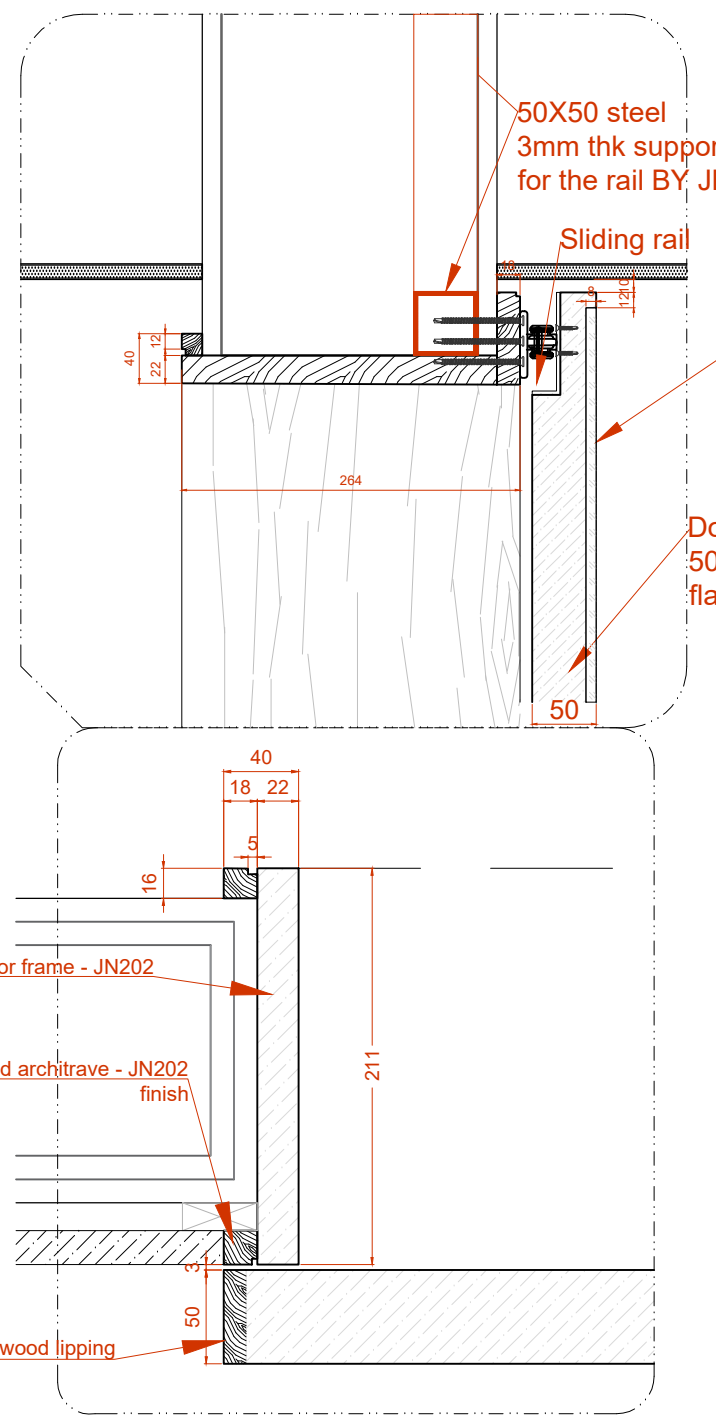
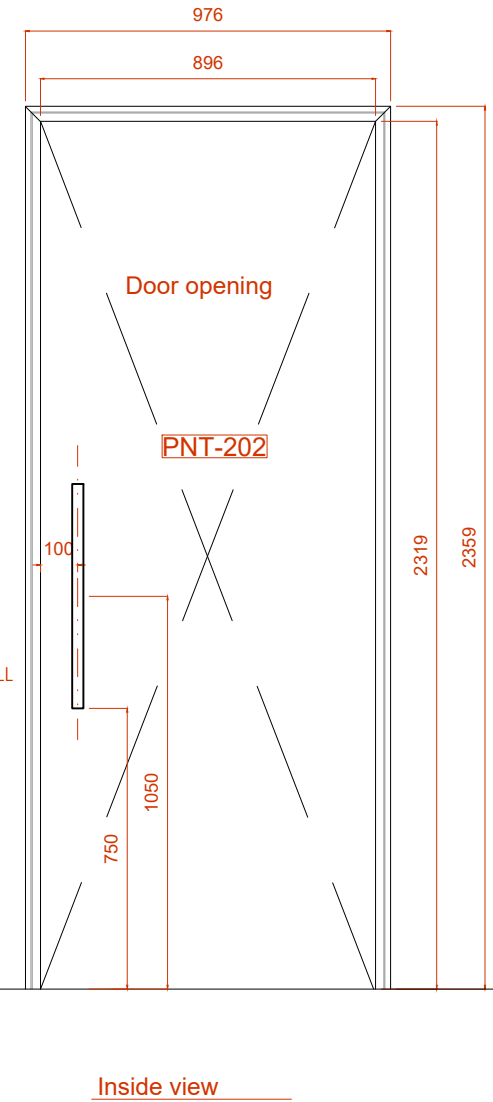
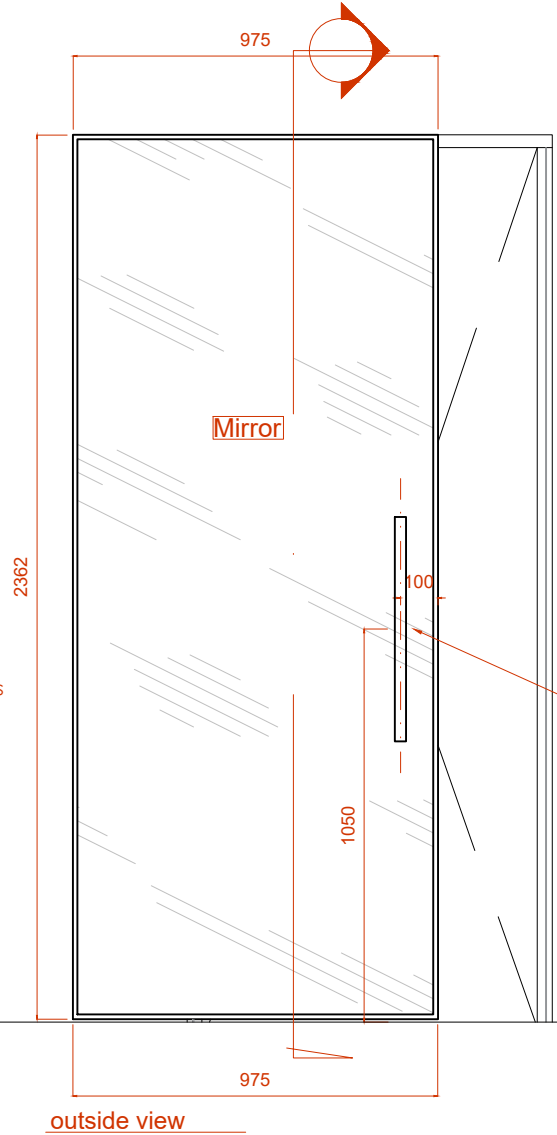
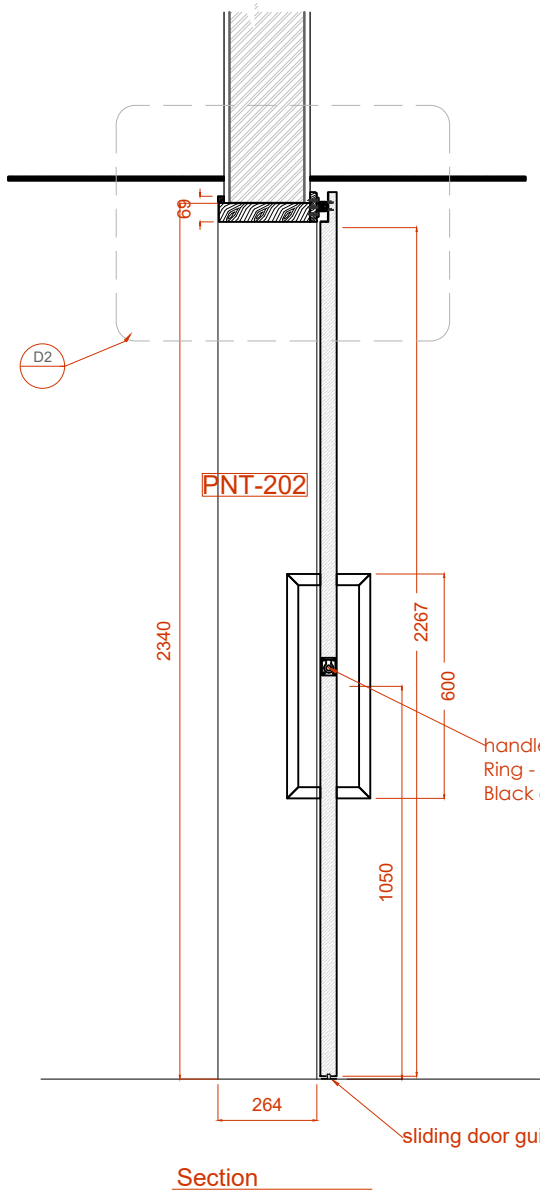
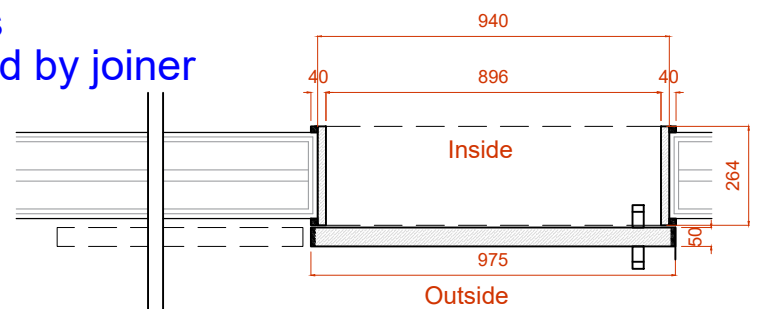


Approved with comments
 Quantity and to be verified by joiner
 Size to be verified on site



50X50 steel
 3mm thk support
 for the rail BY JB

Sliding rail

8 mm mirror
 recessed into timber,
 fixed by specific glue
 for mirrors back

Door leaf thickness
 50 mm to receive the
 flash ring handle



Side door frame - JN202

18mm hardwood architrave - JN202
 finish

15 Hardwood lipping

Section

outside view

Inside view

D3a	Bathroom door	
panel Size	900 mm W x 2350mm H x 50 mm thk	
Finish	Mirror inset on bedroom side , Painted PNT-202 on bathroom side	
Door leaf type	Single door, Sliding barn door	
Ironmongery & Accessories	Handle :Flush Brass Ring	Black Finish
	Barn sliding door track : Adjustable upper truck slide mechanism with lower runner for sliding barn door	Black Finish
	Handle :Flush Brass Ring	
Location	Accessible bathroom doors/disabled	
Total QTY	2	
Fire Rating	NA	
Acoustic	NA	
Remarks		

